

# FAD

## CATALOGUE of steering **PARTS** for tractors



 **qualityaustria**  
**SYSTEMZERTIFIZIERT**  
ISO 9001:2008 NR.08606/0  
ISO/TS 16949:2009 NR.01572/0



---

# TRAKTORI / TRACTORS / TRAKTOREN / TRACTEURS:

---

Fendt

Ford

IMR

IMT

John Deer

Massey-Ferguson

MTZ-Belorus

Tomo Vinković

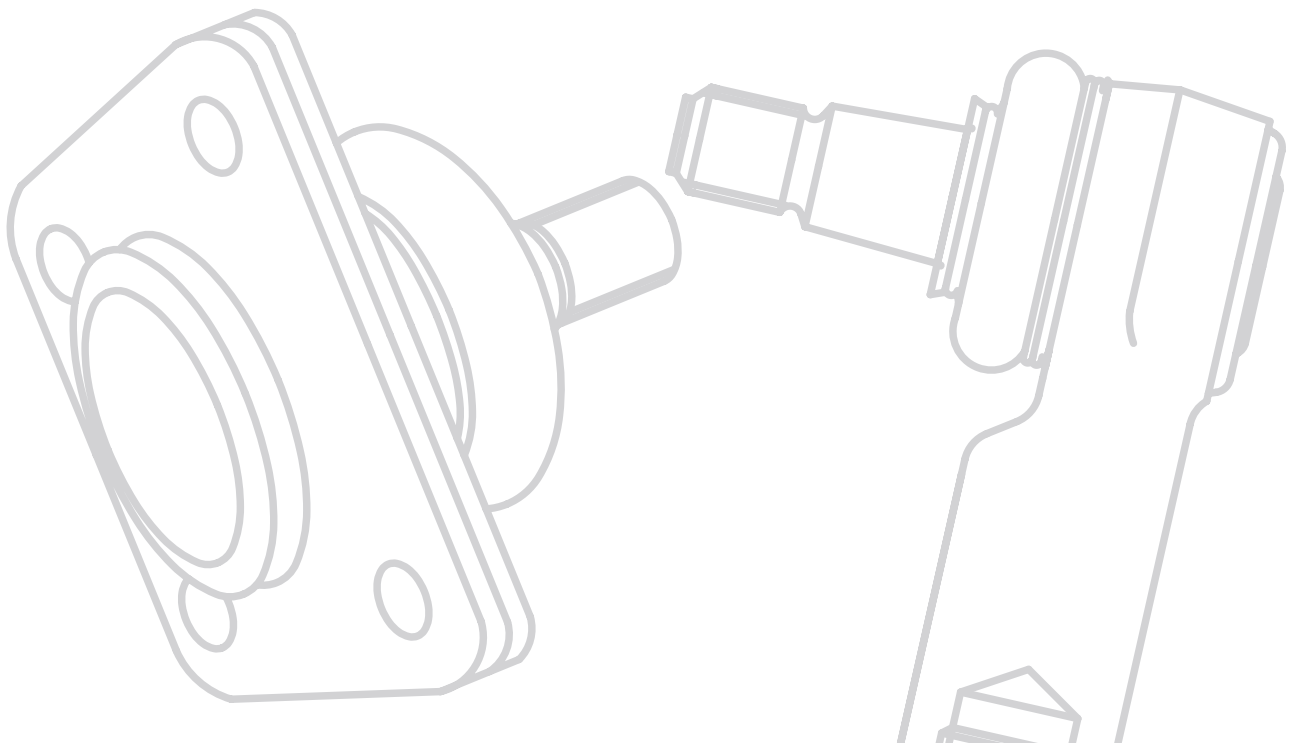
Torpedo

Univerzal

Ursus

Zetor

Železarna Štore (Fiat)





# CERTIFICATE



Quality Austria Trainings-, Zertifizierungs- und Begutachtungs GmbH awards this **qualityaustria** certificate to the following organisation:

This **qualityaustria** certificate confirms the application and further development of an effective

# INTERNET COPY

**METALAC FAD d.o.o.**  
RS-32300 Gornji Milanovac, Kneza Aleksandra 210

**QUALITY MANAGEMENT SYSTEM**  
complying with the requirements of standard  
**ISO/TS 16949:2009**  
without product design

Steering and suspension parts production

Registration No.: 01572/0  
IATF-Registration No.: 0222452  
Issue Date: 28 October 2015  
Expiration Date: 14 September 2018

Vienna, 28 October 2015

Quality Austria Trainings-, Zertifizierungs- und Begutachtungs GmbH,  
A-1010 Vienna, Zelinkagasse 10/3

Signatures removed for security reasons

Konrad Scheiber  
General Manager

Ing. Michael Dragosits, MSc  
Specialist representative

Page 1 / 1

Dok. Nr. FO\_24\_029  
7c390684-0cd9-4f67-  
b21d-a29c49e7488d

# CERTIFICATE



Quality Austria Trainings-, Zertifizierungs- und Begutachtungs GmbH awards this **qualityaustria** certificate to the following organisation:

This **qualityaustria** certificate confirms the application and further development of an effective

# INTERNET COPY

**METALAC FAD d.o.o.**  
RS-32300 Gornji Milanovac, Kneza Aleksandra 210

**QUALITY MANAGEMENT SYSTEM**  
complying with the requirements of standard  
**ISO 9001:2008**

Steering and suspension parts production

Registration No.: 08606/0  
Date of initial issue: 25 November 2009  
Valid until: 14 September 2018

Vienna, 28 October 2015

Quality Austria Trainings-, Zertifizierungs- und Begutachtungs GmbH,  
A-1010 Vienna, Zelinkagasse 10/3

Signatures removed for security reasons

Konrad Scheiber  
General Manager

Dr. Mag. Anni Koubek  
Specialist representative



Quality Austria Trainings-, Zertifizierungs- und Begutachtungs GmbH is accredited according to the Austrian Accreditation Act by the BMWFW (Federal Ministry of Science, Research and Economy).

Quality Austria is accredited as an organisation for environmental verification by the BMLFUW (Federal Ministry of Agriculture, Forestry, Environment and Water Management).

Quality Austria is authorized by the VDA (Association of the Automotive Industry).

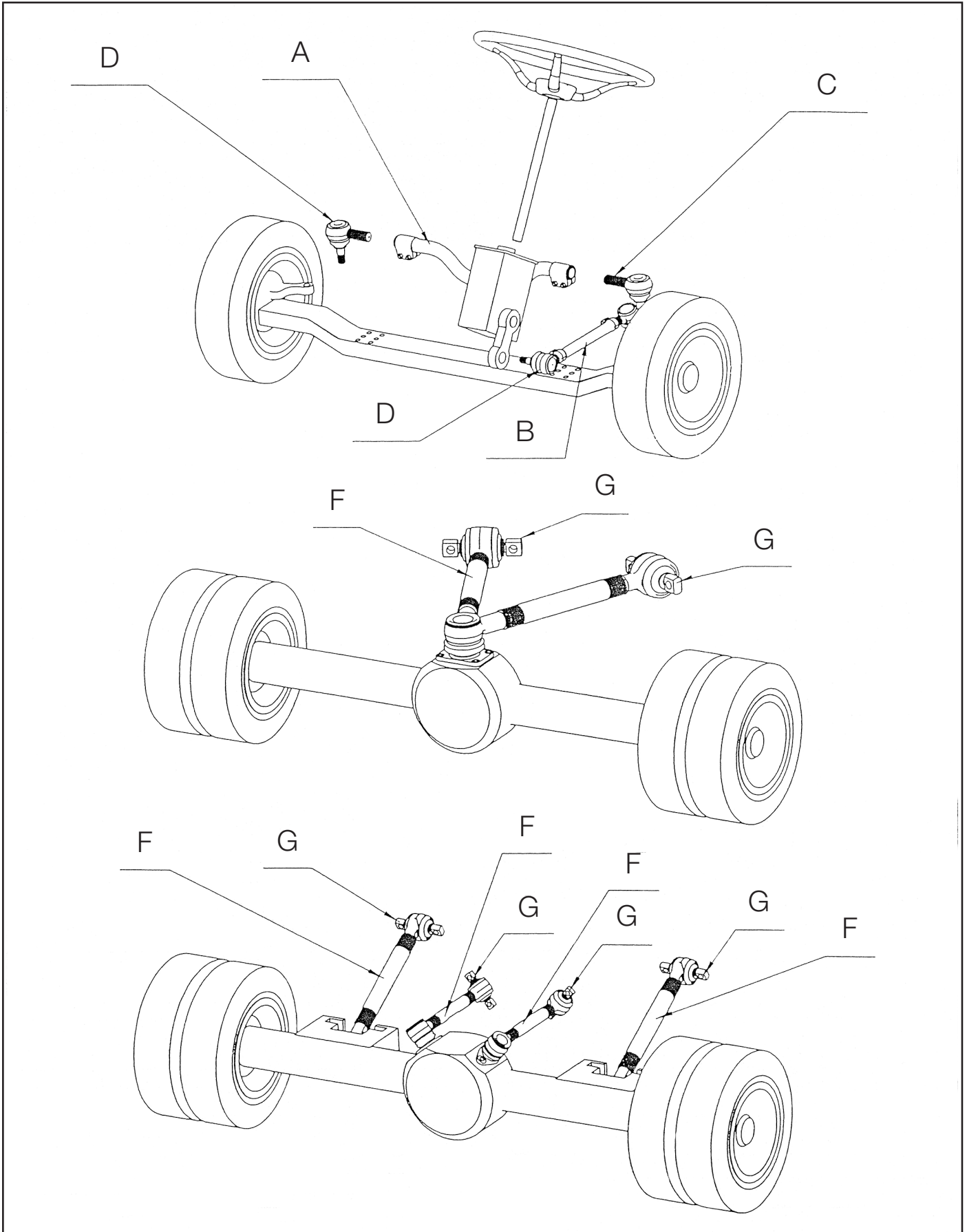
For accreditation registration details please refer to the applicable decisions or recognition documents.

Quality Austria is the Austrian member of IQNet (International Certification Network).

Dok. Nr. FO\_24\_028

0b06933e-3eef-4838-97fc-17062669628b

The current validity of the certificate is documented exclusively on the Internet under <http://www.qualityaustria.com/en/cert> EAC: 22.1



**A** - Poprečna spona / Tie rod / Spurstange / Ens. Bielle de connexion **B** - Spona upravljača / Drag link / Lenkstange / Bielle de direction **C** - Zglob sa levim navojem / Ball joint, LH / Kugelgelenk, LH / Rotule, filetage a gauche **D** - Zglob sa desnim navojem / Ball joint, RH / Kugelgelenk, RH / Rotule, filetage a droite **E** - Stabilizator / Stabilizer / Stabilisator / Stabilisateur **F** - Vođica mosta / Torque rod / Achsstrebe / Bielle de retenue **G** - Izmenljivi podsklop / Repair kit / Reparatur Satz / Kit de reparation



# Parts for FENDT



Model Model Modell Modelle	Seriya Series Baureihe Serie	Naziv Designation Bezeichnung Denomenation	Originalni broj Cross - Ref. - No. Original Nr. No. Original	FAD Br. No. Nr. No.	Skica Fig. Bild Ill.	L
			Ball joint of Axial Tie rod G510.300.100.054 Right	7508.20.00	38	385
			Ball joint of Axial Tie rod G510.300.100.014 Left	7507.20.00	37	385
			Ball joint of Axial Tie rod G510.300.100.030	7506.20.00	39	356
			G155.302.120.200	7509.20.00	N	75
			G155.302.120.210	7509.10.00	N	75

# Parts for FORD

Model Model Modell Modelle	Seriya Series Baureihe Serie	Naziv Designation Bezeichnung Denomenation	Originalni broj Cross - Ref. - No. Original Nr. No. Original	FAD Br. No. Nr. No.	Skica Fig. Bild Ill.	L
		D	123 456	7593.70.00	M	
		D	774 55 81	7594.20.00	R	
		D	1280 566 C2	7595.20.00	X	

# Parts for IMR

Model Model Modell Modelle	Seriya Series Baureihe Serie	Naziv Designation Bezeichnung Denomenation	Originalni broj Cross - Ref. - No. Original Nr. No. Original	FAD Br. No. Nr. No.	Skica Fig. Bild Ill.	L
R - 60		A	8120047	7377.00.00	31	1195
		D		7321.20.00	K	
		C		7377.10.00	K	
		B	812046	7378.00.00	31	1114
		D		7321.20.00	K	
		C		7377.10.00	K	
R - 65DV		D	8399.110.300 (816 151)	7374.20.00	X	
		D	8399.110. 301 (816 150)	7375.20.00	N	
R - 65DV (Prednji most „SOKO“ Mostar)		A	PM 20.18.00 (510 93 58)	7552.00.00	18	1217
		D		7552.20.00	N	
		D		3778.20.00	K	
		D		3779.20.00	N	
R - 65DV (Prednji most Rumunski)		D	40 30 028	7030.20.00	N	
			816 151	7374.20.00	X	
			816 150	7375.20.00	N	
		D		7343.20.00	Q	150
				7030.20.00	N	
R - 76		A	812047	7377.00.00	31	1195
		D		7321.20.00	K	
		C		7377.10.00	K	
		B	814042	7376.00.00	31	1164
		D		7321.20.00	K	
		C		7377.10.00	K	

**A** - Poprečna spona / Tie rod / Spurstange / Ens. Bielle de connexion **B** - Spona upravljača / Drag link / Lenkstange / Bielle de direction **C** - Zglob sa levim navojem / Ball joint, LH / Kugelgelenk, LH / Rotule, filetage a gauche **D** - Zglob sa desnim navojem / Ball joint, RH / Kugelgelenk, RH / Rotule, filetage a droite **E** - Stabilizator / Stabilizer / Stabilisator / Stabilisateur **F** - Vodica mosta / Torque rod / Achsstrebe / Bielle de retenue **G** - Izmenljivi podsklop / Repair kit / Reparatur Satz / Kit de reparation

# Parts for IMR



Model Model Modell Modele	Seriya Series Baureihe Serie	Naziv Designation Bezeichnung Denomenation	Originalni broj Cross - Ref. - No. Original Nr. No. Original	FAD Br. No. Nr. No.	Skica Fig. Bild III.	L
R - 120			816050	7379.00.00	27	420 520
		D D		7374.20.00 7375.20.00	X N	

# Parts for IMT

Model Model Modell Modele	Seriya Series Baureihe Serie	Naziv Designation Bezeichnung Denomenation	Originalni broj Cross - Ref. - No. Original Nr. No. Original	FAD Br. No. Nr. No.	Skica Fig. Bild III.	L
533		B D C	531.11.700 540.11.720 540.11.740 555.11.100	7331.00.00 7330.20.00 7330.10.00 7308.00.00	21 N Y 28	986   575 770
		D C	555.11.020 555.11.010	7308.20.00 7308.10.00	I I	
534		B D C	517.00.560 (515 01 198) (515 01 551)	7293.00.00 7330.20.00 7330.10.00	21 N Y	1160
535		B D C	531.11.700 540.11.720 540.11.740	7331.00.00 7330.20.00 7330.10.00	21 N Y	986
539 540		B D C B D C	531.11.700 540.11.720 540.11.740 517.00.600	7331.00.00 7330.20.00 7330.10.00 7294.00.00	21 N Y 21	986   767
		D C	555.11.100 555.11.020 555.11.010	7330.20.00 7330.10.00 7308.00.00 7308.20.00 7308.10.00	N Y 28 I I	575 770
549 (Hid. upravljač)		D B B	515 01 199 515 07 660 515 07 650	7297.20.00 7295.00.00 7296.00.00	K 1 1	 488 488
				7330.20.00 7295.81.00 7271.20.00	N W K	  60

**A** - Poprečna spona / Tie rod / Spurstange / Ens. Bielle de connexion **B** - Spona upravljača / Drag link / Lenkstange / Bielle de direction **C** - Zglob sa levim navojem / Ball joint, LH / Kugelgelenk, LH / Rotule, filetage a gauche **D** - Zglob sa desnim navojem / Ball joint, RH / Kugelgelenk, RH / Rotule, filetage a droite **E** - Stabilizator / Stabilizer / Stabilisator / Stabilisateur **F** - Vođica mosta / Torque rod / Achsstrebe / Bielle de retenue **G** - Izmenljivi podsklop / Repair kit / Reparatur Satz / Kit de reparation



Model Model Modell Modele	Seriya Series Baureihe Serie	Naziv Designation Bezeichnung Denomenation	Originalni broj Cross - Ref. - No. Original Nr. No. Original	FAD Br. No. Nr. No.	Skica Fig. Bild Ill.	L		
542 (546, 547)		B	531.11.700	7331.00.00	21	986		
		D	540.11.720	7330.20.00	N			
		C	540.11.740	7330.10.00	Y			
				B	515.07.660	7295.00.00	1	488
				D		7330.20.00	N	
				B	555.11.100	7595.81.00	W	575 700
				D	555.11.020	7308.00.00	28	
C	555.11.010			7308.20.00	I			
558		A	558.11.020	7308.10.00	I	1038		
		D	558.11.040	7321.00.00	22			
		G	558.11.030	7321.20.00	K			
		B	558.11.050	7321.30.00	W		809	
		G	558.11.070	7320.00.00	22		1002	
		G	558.11.060	7320.81.00	W		305	
			560.11.100	7320.30.00	W		865	
				7309.00.00	28		600 810	
		D	560.11.020	7309.20.00	I			
		C	560.11.040	7309.10.00	I			
560		A	560.11.540	7323.00.00	22	1015		
		D	558.11.040	7321.20.00	K			
		G	560.11.550	7323.30.00	W		770	
		B	560.11.520	7322.00.00	22		1035	
		G	560.11.660	7322.30.00	W			
		G	558.11.060	7320.30.00	W			
			56.11.100	7309.00.00	28		600 810	
		D	560.11.020	7309.20.00	I			
C	560.11.040	7309.10.00	I					
560 de luxe 577 de luxe		D	515.00.903	5301.20.00	K	1068		
			515.02.120	7306.00.00	22			
		D	558.11.040/ 555.11.970	7321.20.00	K			
			515.02.140	7306.81.00	W			
567 dv de luxe 577 dv deluxe 570		D	515.00.688	5300.20.00	K	1068		
		D	515.02.120	7306.00.00	22			
			558.11.040/ 555.11.970	7321.20.00	K			
			515.02.140	7306.81.00	W		410	
577 dv 560 dv		A	515.02.892	7275.00.00	22	1315 kriva		
		D	515.02.893	7275.20.00	K			
570 577 578 579		A	560.11.540	7323.00.00	22	1015		
		D	558.11.040	7321.20.00	K			
		G	560.11.550	7323.30.00	W		770	
		B	575.11.660	7324.00.00	15		275	
		G	575.11.670	7324.30.00	W		231	
		B	575.11.700	7325.00.00	35		693	
		D	558.11.040	7321.20.00	K			
		G		7325.30.00	W		650	

**A** - Poprečna spona / Tie rod / Spurstange / Ens. Bielle de connexion **B** - Spona upravljača / Drag link / Lenkstange / Bielle de direction **C** - Zglob sa levim navojem / Ball joint, LH / Kugelgelenk, LH / Rotule, filetage a gauche **D** - Zglob sa desnim navojem / Ball joint, RH / Kugelgelenk, RH / Rotule, filetage a droite **E** - Stabilizator / Stabilizer / Stabilisator / Stabilisateur **F** - Vodica mosta / Torque rod / Achsstrebe / Bielle de retenue **G** - Izmenljivi podsklop / Repair kit / Reparatur Satz / Kit de reparation

# Parts for **IMT**



Model Model Modell Modele	Serija Series Baureihe Serie	Naziv Designation Bezeichnung Denomination	Originalni broj Cross - Ref. - No. Original Nr. No. Original	FAD Br. No. Nr. No.	Skica Fig. Bild III.	L
577		A	515.02.120	7306.00.00	22	1068
		D	558.11.040	7321.20.00	K	
		G	515.02.140	7306.81.00	W	410
		A	575.11.680	7327.00.00	22	1299
			558.11.040	7321.20.00	K	
579		B	560.11.520	7322.00.00	22	1035
		G	560.11.660	7322.81.00	W	
		G	558.11.060	7320.30.00	W	
		D	575.05.860	7326.20.00	K	
			575.11.860	7314.30.00	W	231
5100 5130		A	515.01.240	7304.00.00	22	1300
		D	515.01.160	7318.20.00	X	
		B	515.01.230	7329.00.00	22	1100
		D	515.01.160	7318.20.00	X	
5170 dv		B	515.05.240	7291.00.00	22	1417
		D	515.01.160	7318.20.00	X	
		D	515.05.250	7290.20.00	X	

# Parts for **JOHN DEERE**

Model Model Modell Modele	Serija Series Baureihe Serie	Naziv Designation Bezeichnung Denomination	Originalni broj Cross - Ref. - No. Original Nr. No. Original	FAD Br. No. Nr. No.	Skica Fig. Bild III.	L
1640 2040 2140		B	AL 38638	7210.00.00	2	1140
		B	AL 38640	7212.00.00	2	908
2030		B	AL 38639	7211.00.00	2	510
4040 4240		A	AL 37460	7213.00.00	1	1300

# Parts for **KHD**

Model Model Modell Modele	Serija Series Baureihe Serie	Naziv Designation Bezeichnung Denomination	Originalni broj Cross - Ref. - No. Original Nr. No. Original	FAD Br. No. Nr. No.	Skica Fig. Bild III.	L
		A	237.2884	7105.00.00	23	1052
		D	338 9813	7105.20.00	N	
		B		7106.00.00	23	1196
			435 2590	7106.36.00	W	311
				7141.00.00	1	1165
	000 330 97/99 35	7141.81.00	W	1565		
		4746.20.00	N			

**A** - Poprečna spona / Tie rod / Spurstange / Ens. Bielle de connexion **B** - Spona upravljača / Drag link / Lenkstange / Bielle de direction **C** - Zglob sa levim navojem / Ball joint, LH / Kugelgelenk, LH / Rotule, filetage a gauche **D** - Zglob sa desnim navojem / Ball joint, RH / Kugelgelenk, RH / Rotule, filetage a droite **E** - Stabilizator / Stabilizer / Stabilisator / Stabilisateur **F** - Vođica mosta / Torque rod / Achsstrebe / Bielle de retenue **G** - Izmenljivi podsklop / Repair kit / Reparatur Satz / Kit de reparation



# Parts for MASSEY-FERGUSON

**FAD**


Model Model Modell Modelle	Seriya Series Baureihe Serie	Naziv Designation Bezeichnung Denomenation	Originalni broj Cross - Ref. - No. Original Nr. No. Original	Br. No. FAD Nr. No.	Skica Fig. Bild Ill.	L
MF-135		B D C	826 753 M91	7870.00.00 7870.20.00 7870.10.00	21 V U	985
MF 165		B	884 797 M91	7871.00.00	13	1110
			884 797 M91 885 549 M91 886 797 M91	7170.00.00 7171.00.00 7172.81.00	14 14 25	1110 1173 397
165 Traktor 1964-73			886 800 M92 881 736 M92 886 802 M91	7173.00.00 7173.35.00 7173.20.00	26 W Y	581 369
			847 451 M92	7174.20.00	N	
765 (Standard) 1963-1967			881 883 M91 881 884 M91	7191.35.00	W	410
MF 65 (TOCH 526081) 1960-64			881 883 M91 881 884 M91 884 701 M91 880 008 M91	7191.35 00 7187.20.00 7190.00.00	W N W	410
175 Normal duty 1964-67			800 008 M91 844 701 M91 (2)	7190.00.00 7187.20.00	W N	
175 Heavy duty 1964-67			884 701 M91 (2)	7187.20.00	N	
FE 35, 135 Tractor 1957-73			826 752 M92	7179.10.00	Y	
			1808 893 M1 907 310 M2 1808 432 M1 1664 066 M1 969 352 M1 3 426 660 M1 1 673 788 M91 1 695 045 M91 3 599 679 M91 1 860 411 M92 7 595 181 M92 1 862 029 M91 1 860 408 M2 847 423 M91 847 440 M91 3 475 945 M91 860 412 M2	7175.00.00 7176.00.00 7177.00.00 7178.00.00 7180.20.00 7181.20.00 7182.00.00 7183.50.00 7184.20.00 7185.00.00 7186.00.00 7188.00.00 7189.35.00 7192.00.00 7193.00.00 7186.81.00 7185.35.00	W W W W Y X W T 26 26 W 4 15 W W	166 152 166 177         1043 948,2  200 562 410,7 810 200

**A** - Poprečna spona / Tie rod / Spurstange / Ens. Bielle de connexion **B** - Spona upravljača / Drag link / Lenkstange / Bielle de direction **C** - Zglob sa levim navojem / Ball joint, LH / Kugelgelenk, LH / Rotule, filetage a gauche **D** - Zglob sa desnim navojem / Ball joint, RH / Kugelgelenk, RH / Rotule, filetage a droite **E** - Stabilizator / Stabilizer / Stabilisator / Stabilisateur **F** - Vodica mosta / Torque rod / Achsstrebe / Bielle de retenue **G** - Izmenljivi podsklop / Repair kit / Reparatur Satz / Kit de reparation

# Parts for **MTZ-BELARUS**

**FAD**



Model Model Modell Modele	Seriya Series Baureihe Serie	Naziv Designation Bezeichnung Denomenation	Originalni broj Cross - Ref. - No. Original Nr. No. Original	FAD Br. No. Nr. No.	Skica Fig. Bild III.	L
MTZ-900/920		B C D	80-3003010	5570.00.00 5570.10.00 5570.20.00	1 N N	1035
MTZ-80		B C D	80-3003010-01	5571.00.00 5570.10.00 5570.20.00	1 N N	500
MTZ-82		B C D	80-3003010-02	5572.00.00 5570.10.00 5570.20.00	1 N N	525
		C D C D		5573.10.00 5573.20.00 5574.10.00 5574.20.00	N N N N	

# Parts for **TOMA VINKOVIĆ**

Model Model Modell Modele	Seriya Series Baureihe Serie	Naziv Designation Bezeichnung Denomenation	Originalni broj Cross - Ref. - No. Original Nr. No. Original	FAD Br. No. Nr. No.	Skica Fig. Bild III.	L
TV-418 TV-521		B D	005.04.3.3.000 002.04.3.3.002	7360.00.00 7363.20.00	17 N	175 65
TV-730		D	005.04.3.3.002	7362.20.00	N	75

# Parts for **TORPEDO**

Model Model Modell Modele	Seriya Series Baureihe Serie	Naziv Designation Bezeichnung Denomenation	Originalni broj Cross - Ref. - No. Original Nr. No. Original	FAD Br. No. Nr. No.	Skica Fig. Bild III.	L
TD 4006 TD 4506 TD 4806		A  D B	238-2761   238-2774	7484.00.00  7484.20.00 7480.00.00 7480.36.00  7490.20	23  N 23 W	984 1584  1004 311
TD 6006 ZS		A  D B	238-2761   021-7170	7484.00.00  7484.200.00 7493.00.00  7480.36.00	23  N 23 W	984 1584  1104 1134 311
TD 6806 TD 7206 ZKB		B  D B	237-2884   233-4837	7483.00.00  7483.20.00 7487.00.00  7481.81.00	23  N 23 W	1052 1552  1211 1225

**A** - Poprečna spona / Tie rod / Spurstange / Ens. Bielle de connexion **B** - Spona upravljača / Drag link / Lenkstange / Bielle de direction **C** - Zglob sa levim navojem / Ball joint, LH / Kugelgelenk, LH / Rotule, filetage a gauche **D** - Zglob sa desnim navojem / Ball joint, RH / Kugelgelenk, RH / Rotule, filetage a droite **E** - Stabilizator / Stabilizer / Stabilisator / Stabilisateur **F** - Vođica mosta / Torque rod / Achsstrebe / Bielle de retenue **G** - Izmenljivi podsklop / Repair kit / Reparatur Satz / Kit de reparation

# Parts for TORPEDO



Model Model Modell Modelle	Seriya Series Baureihe Serie	Naziv Designation Bezeichnung Denomenation	Originalni broj Cross - Ref. - No. Original Nr. No. Original	FAD Br. No. Nr. No.	Skica Fig. Bild Ill.	L
TD 7506		A	021-1666	7488.00.00	23	1102 1602
		D	021-1836	7483.20.00	N	1468 1482
		B		7481.00.00	23	
		B	238-8860	7481.81.00	W	1319 1919
				7486.00.00	16	
A D	021-3342	7486.81.00 7491.00.00 3170.20.00	W 10 N	760 1430		
TD 9006		A	021-3342	7491.00.00	10	1430
		D	238-8860	3170.20.00	N	1319 1919
		B		7486.00.00 7486.81.00	16 W	
TX 65		B	238-8859	7496.00.00	16	1262 1862
				7486.81.00	W	
TX 75 TX 80	vidi: look: siehe: vois:	TD 9006				
RX 100 RX 120 RX 170 (Prednji most) Tp 270/350		A	021-7615	7495.00.00	10	1065
		D		3170.20.00	N	
TB 1841 (Rovokopač)		B	238-8860	7486.00.00	16	1319 1919
		D		7486.81.00	W	
TB 1941 (Rovokopač) (Prednji most T-400)		A	030-0608	7494.00.00	10	1630
		D		3170.20.00	N	

# Parts for UNIVERZAL

Model Model Modell Modelle	Seriya Series Baureihe Serie	Naziv Designation Bezeichnung Denomenation	Originalni broj Cross - Ref. - No. Original Nr. No. Original	FAD Br. No. Nr. No.	Skica Fig. Bild Ill.	L
U-445		D	40 30 067	7030.00.00	16	465 378
			40 30 028	7030.20.00	N	
			40 30 077	7030.81.00	W	
U-650 M, 651 M U-650, 650 DT				3124.20.00	V	337
				3124.10.00	V	
				3119.81.00	W	
U 260, U 320 U 445		D	40 30 028	7840.20.00	N	377 402
			40 30 077	7841.81.00	W	
			40 30 095	7842.81.00	W	
			40 30 098	7843.85.00	W	

**A** - Poprečna spona / Tie rod / Spurstange / Ens. Bielle de connexion **B** - Spona upravljača / Drag link / Lenkstange / Bielle de direction **C** - Zglob sa levim navojem / Ball joint, LH / Kugelgelenk, LH / Rotule, filetage a gauche **D** - Zglob sa desnim navojem / Ball joint, RH / Kugelgelenk, RH / Rotule, filetage a droite **E** - Stabilizator / Stabilizer / Stabilisator / Stabilisateur **F** - Vodica mosta / Torque rod / Achsstrebe / Bielle de retenue **G** - Izmenljivi podsklop / Repair kit / Reparatur Satz / Kit de reparation

# Parts for UNIVERZAL

FAD



Model Model Modell Modelle	Seriya Series Baureihe Serie	Naziv Designation Bezeichnung Denomenation	Originalni broj Cross - Ref. - No. Original Nr. No. Original	FAD Br. No. Nr. No.	Skica Fig. Bild Ill.	L
U 650 M U 445 DTC U 550 DTC U 640 DTC U 550, U 640 U 650 DTC		D  D	40.33.926 31.30.045 31.30.044	7844.20.00 7845.81.00 7846.20.00	N W N	325
U 1010 U 1010 DT U 833 U 1033 U 1033 DT		D  D	4001.33.0304 4001.30.0320 4001.30.0321 4101.55.0336 000 330 32 35	7847.20.00 7848.81.00 7849.81.00 3171.20.00	X W W N	525 525

# Parts for URSUS

Model Model Modell Modelle	Seriya Series Baureihe Serie	Naziv Designation Bezeichnung Denomenation	Originalni broj Cross - Ref. - No. Original Nr. No. Original	FAD Br. No. Nr. No.	Skica Fig. Bild Ill.	L
902 B		D	80 22 00 19 80 22 00 29	7584.20.00 7585.81.00	V W	282
904 1224		C	83.221.039	7589.10.00	N	234

# Parts for ZETOR

Model Model Modell Modelle	Seriya Series Baureihe Serie	Naziv Designation Bezeichnung Denomenation	Originalni broj Cross - Ref. - No. Original Nr. No. Original	FAD Br. No. Nr. No.	Skica Fig. Bild Ill.	L
4011		C D	95 35 48 LH 95 35 19 RH	7392.10.00 7392.20.00	N N	
5511		C D D	5511 35 31 LH  551 35 35 RH	7390.10.00 7390.20.00 7391.20.00	N N Y	
		D	8022 00 19 8022 00 29	7584.20.00 7585.81.00	V W	282

# Parts for ŽELEZARNA-ŠTÖRE (FIAT)

Model Model Modell Modelle	Seriya Series Baureihe Serie	Naziv Designation Bezeichnung Denomenation	Originalni broj Cross - Ref. - No. Original Nr. No. Original	FAD Br. No. Nr. No.	Skica Fig. Bild Ill.	L
300		B  B C	499 35 50  499 35 51	7554.00.00  7554.81.00 7555.00.00 1210.10.00	2  W 3 N	334 584 394 644
402		A  D B	510 93 70   510 93 66	7550.00.00  7550.20.00 7550.81.00 7551.00.00	16  N W 3	872 1372 1145
404		A D B	510 93 58  510 93 59	7552.00.00 7552.20.00 7553.00.00	18 N 3	1217  1060

**A** - Poprečna spona / Tie rod / Spurstange / Ens. Bielle de connexion **B** - Spona upravljača / Drag link / Lenkstange / Bielle de direction **C** - Zglob sa levim navojem / Ball joint, LH / Kugelgelenk, LH / Rotule, filetage a gauche **D** - Zglob sa desnim navojem / Ball joint, RH / Kugelgelenk, RH / Rotule, filetage a droite **E** - Stabilizator / Stabilizer / Stabilisator / Stabilisateur **F** - Vođica mosta / Torque rod / Achsstrebe / Bielle de retenue **G** - Izmenljivi podsklop / Repair kit / Reparatur Satz / Kit de reparation



Izdavač: **Metalac FAD**  
Adresa: **Kneza Aleksandra 210, Gornji Milanovac**  
e-mail: **fad@metalac.com**  
web: **www.fad.rs**

